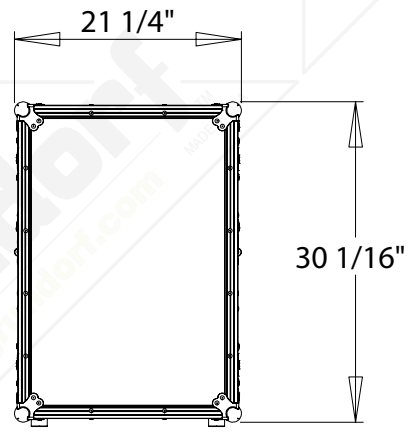
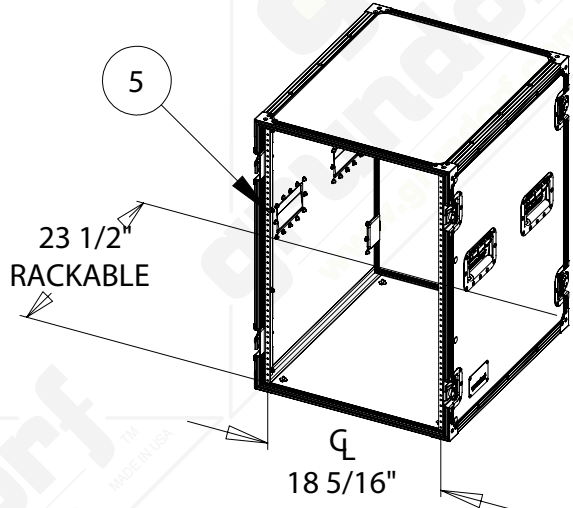
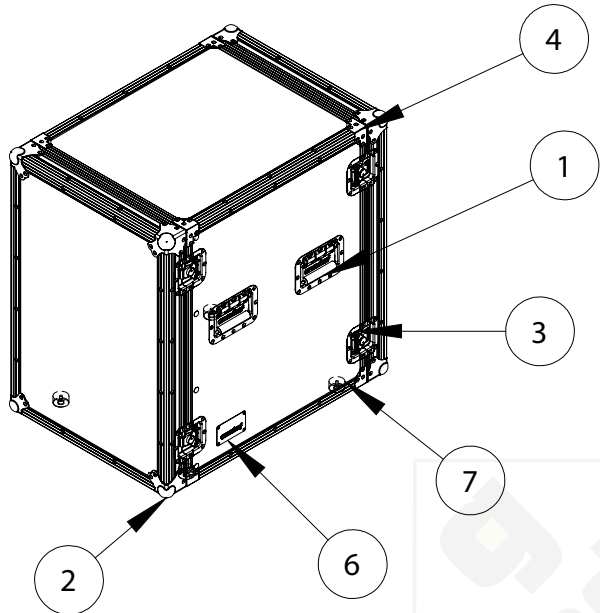
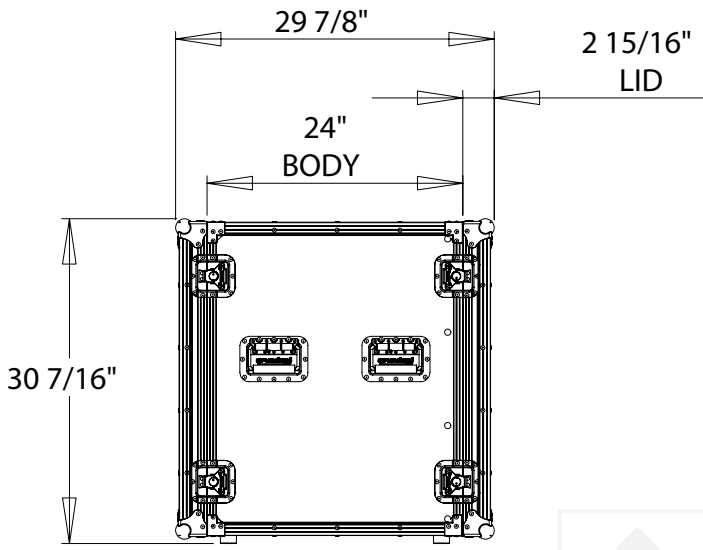


#	Qty	PART NUMBER	DESCRIPTION
1	4	31-005	HANDLE - RECESSED/LOGO/ZINC
2	8	32-016	CORNER - BALL/WITH CLAMP/ZINC
3	8	34-013	CATCH - RECESSED W/OFFSET/ZINC
4	8	35-007	CLAMP - SMALL/OFFSET
5	2	41-016	RACK RAIL-16 SPACE
6	1	83-012	BADGE - GRUNDORF TOUR 8 SERIES
7	4	40-001	FOOT - RUBBER/1-1/2"



FRONT VIEW



SIDE VIEW